

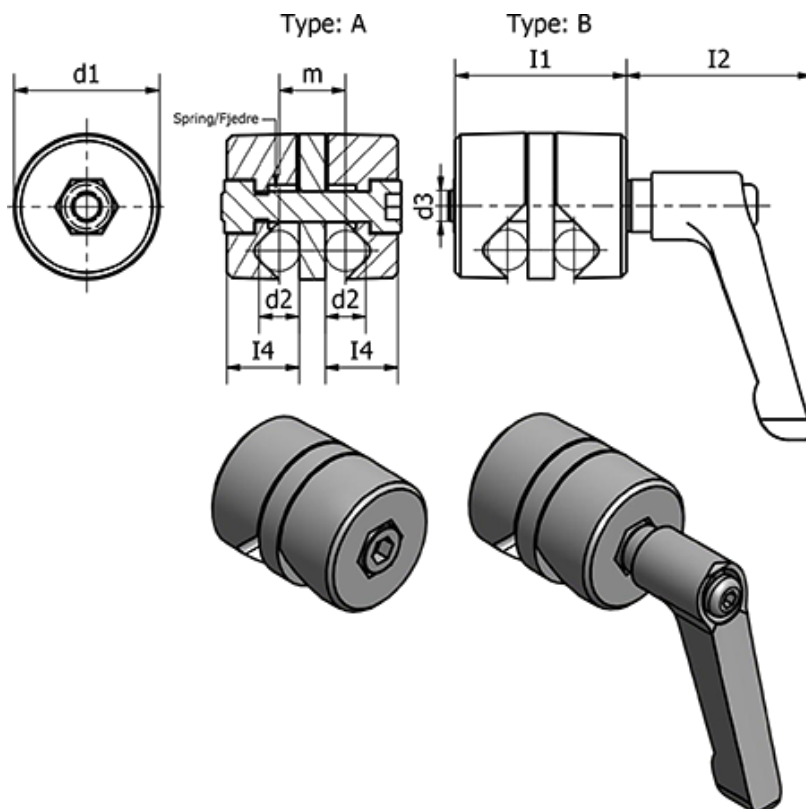
# Data Sheet



Article number: 204903612AMT

Description: E+G Clamp mounting - GN 490-36-12-A-MT

## Measures



$d1 = 36$

$m = 17$

$d2 = 12$

Weight (g) = 118

$d3 = M8$

$I1 = 47$

$I2 = -$

$I3 = -$

$I4 = 21$

$I5 = 5$